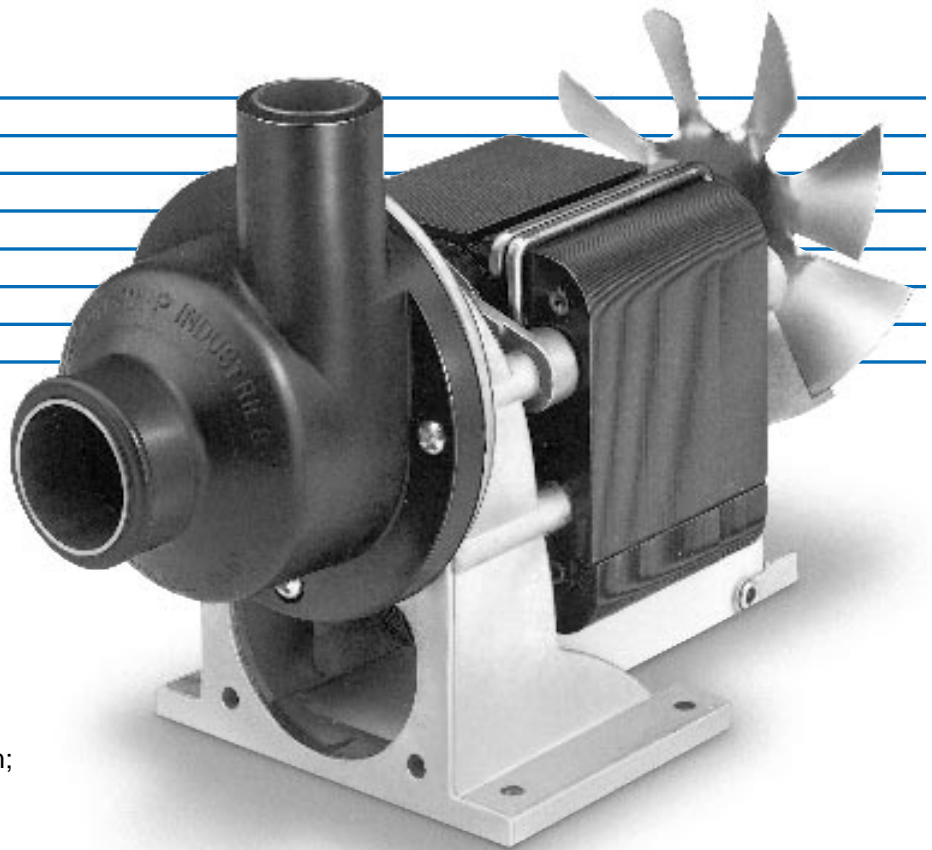


200 Series



Pump Specifications:

Flow Rates — Range to 13 gpm;
maximum head
9.7 feet

Motor — 115V, 60 Hz
Open, shaded pole

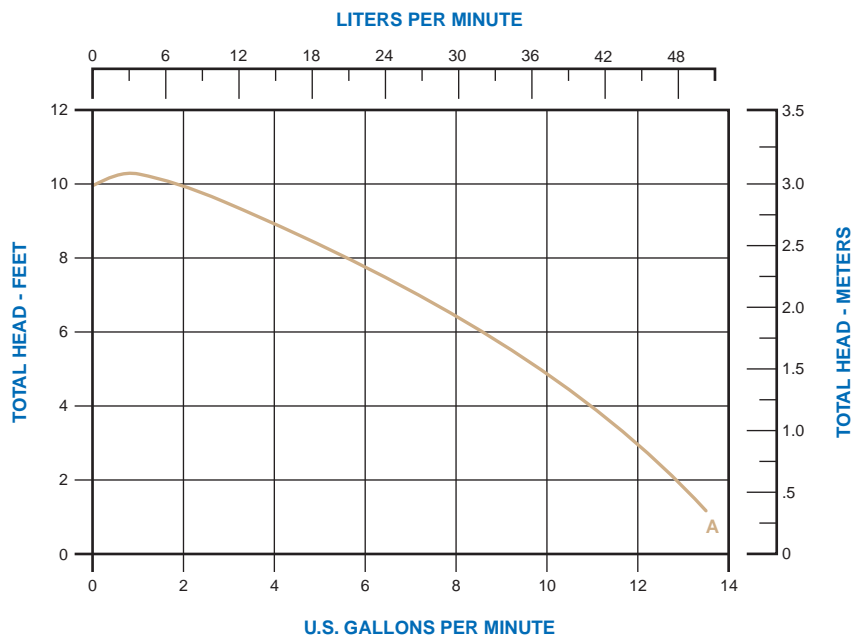
Fluid Temperature — To 180°F (82°C)

Materials in Contact with Solution:

Body — Polyethylene

Impeller — Polyethylene

Seal — Nitrile lip seal



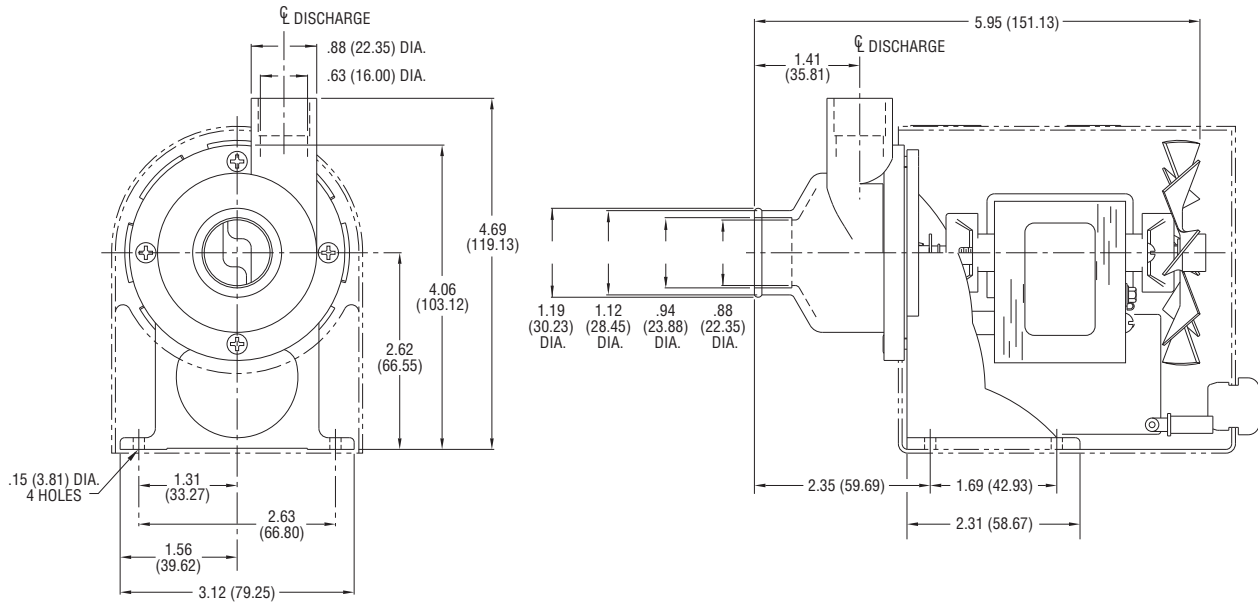
A - 60 Hz curve.

MODEL SPECIFICATIONS

Model Number	Series	Seal	Volts	Hz	Amps	Motor Type	Shell	Typical Curve		Approx. Wt.
								50 Hz	60 Hz	
15901-001	200	Lip	115	60	2.4	SP	Open	—	A	4.0 lbs.
15952-001	Same as 15901-001 except with 6' cord and cover									

CENTRIFUGAL PUMPS - TYPICAL DIMENSIONS

200 Series Model



Dimensions in Inches
(Dimensions in Millimeters)

OEM

Options

- Body** —
- a. Buna N
 - b. Bronze
 - c. Stainless Steel
 - d. Noryl®
 - e. Nitrile

- Impellers** —
- a. Buna N
 - b. Phenolic
 - c. Bronze
 - d. Stainless Steel
 - e. Noryl®

- Seals** —
- a. Buna N lip seal
 - b. Carbon vs. 316 Stainless Steel with Kel-F®, Viton®/Fluoroelastomer, Brass and 302 Stainless Steel components
 - c. Carbon vs. 316 Stainless Steel with Polyethylene, Brass and 302 Stainless Steel components
 - d. Carbon vs. 316 Stainless Steel with Silicone, Brass and 302 Stainless Steel components

- Motors** —
- a. 115V, 50/60 Hz
 - b. 230V, 50 Hz
 - c. 230V, 50/60 Hz
 - d. Pedestal models (no motor)