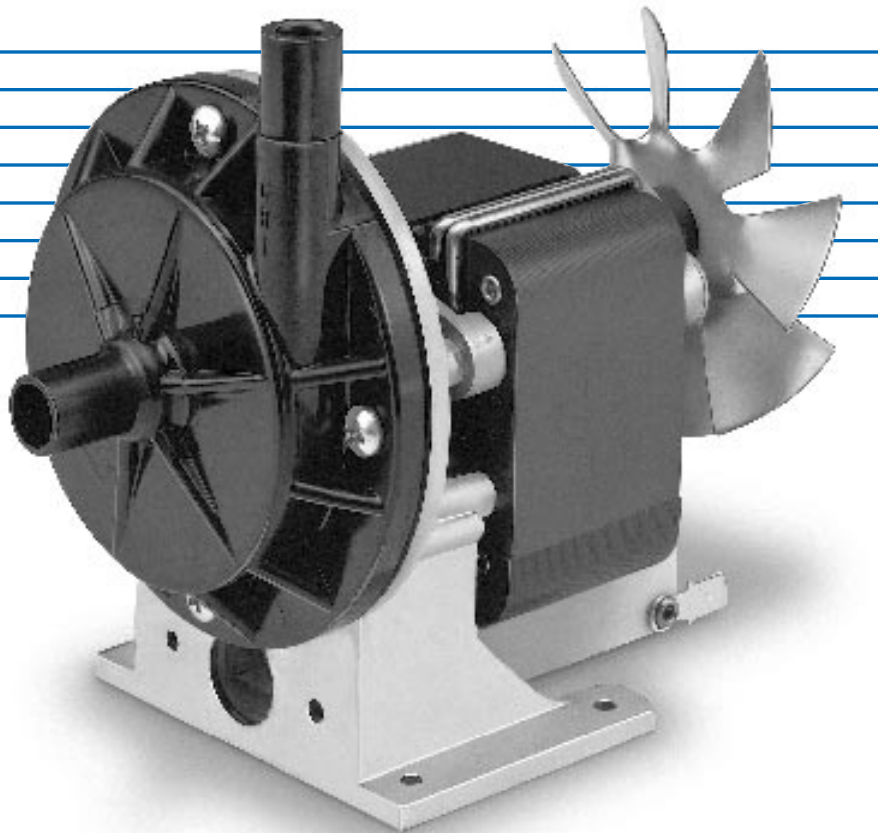


# 5600 Series



## Pump Specifications:

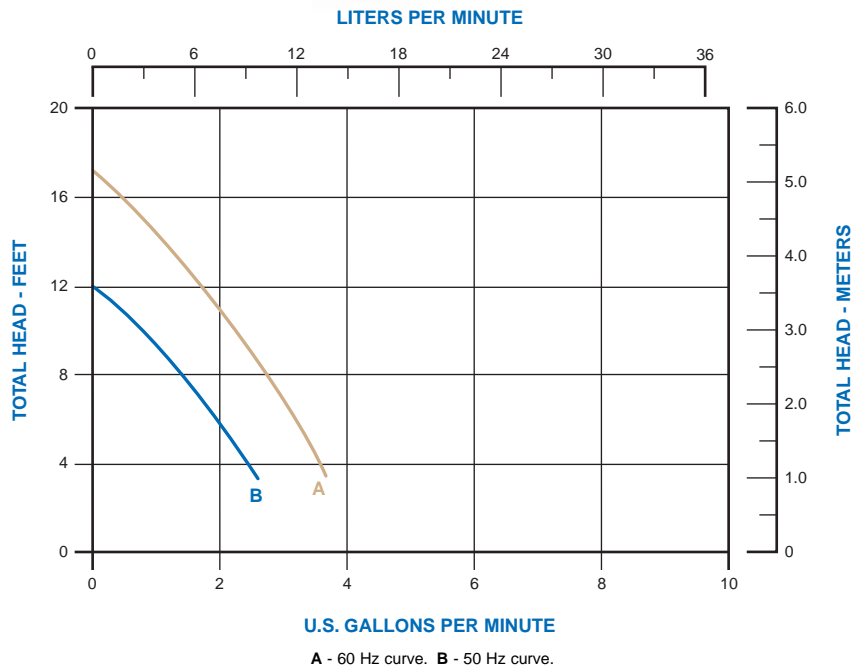
**Flow Rates** — Range to 3.5 gpm;  
maximum head  
16.9 feet

**Motor** — 115V, 50/60 Hz  
Shaded pole,  
thermally protected

**Fluid  
Temperature** — To 220°F (104°C)

## Materials in Contact with Solution:

**Body** — Phenolic  
**Impeller** — Phenolic  
**Seal** — Carbon and  
316 Stainless  
Steel faces with  
Polyethylene  
and Nitrile  
elastomers



TOTAL HEAD - FEET

TOTAL HEAD - METERS

U.S. GALLONS PER MINUTE

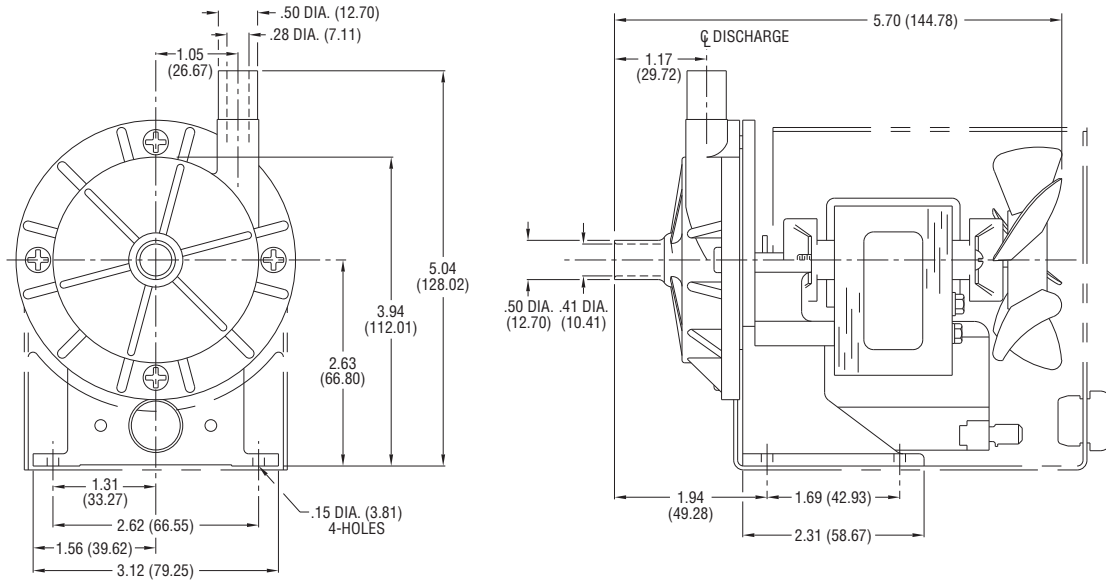
A - 60 Hz curve. B - 50 Hz curve.

## MODEL SPECIFICATIONS

| Model Number | Series  | Seal | Volts | Hz    | Amps    | Motor Type | Shell | Typical Curve |       | Approx. Wt. |
|--------------|---|------|-------|-------|---------|------------|-------|---------------|-------|-------------|
|              |   |      |       |       |         |            |       | 50 Hz         | 60 Hz |             |
| 15902-001    | 5600  | Mech | 115   | 50/60 | 2.4/1.6 | SP         | Open  | B             | A     | 4.5 lbs.    |
| 15951-001    | Same as 15902-001 except with 6' cord and cover |      |       |       |         |            |       |               |       |             |

## CENTRIFUGAL PUMPS - TYPICAL DIMENSIONS

### 5600 Series Model



Dimensions in Inches  
(Dimensions in Millimeters)

## OEM Options

- Impeller** — Stainless Steel
- Seals** —
- Buna N lip seal
  - Carbon vs. 316  
Stainless Steel with  
Brass, 302 Stainless  
Steel and Kel-F® or  
Butyl and EPT/  
EPDM elastomers
- Motors** —
- 115V, 60 Hz
  - 230V, 50/60 Hz
  - 220/240V, 50 Hz