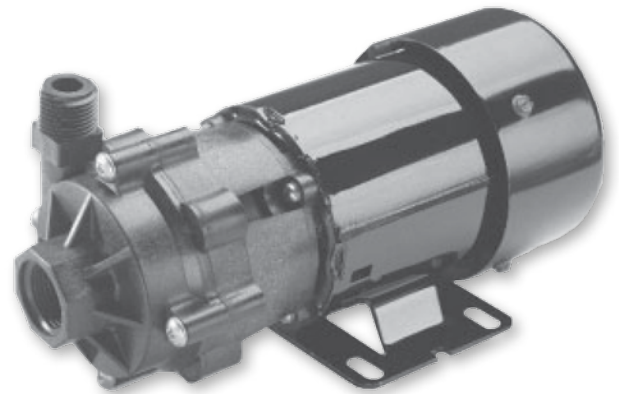
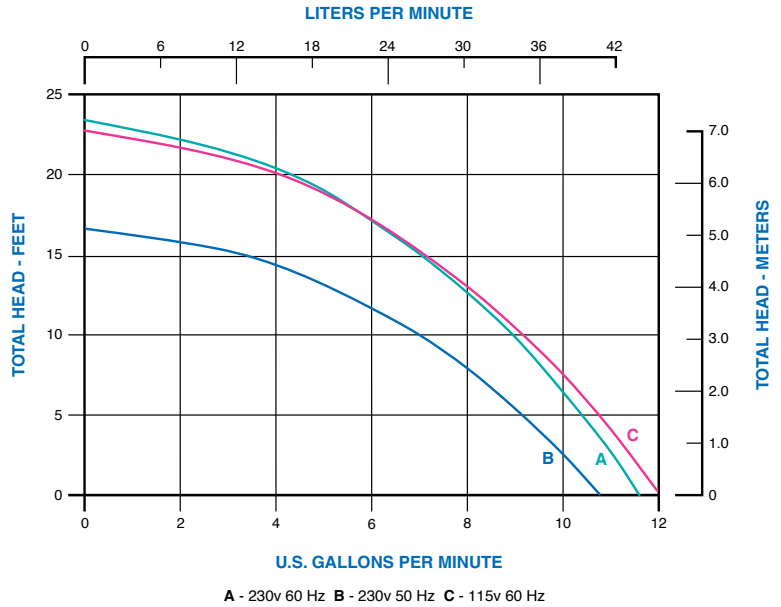


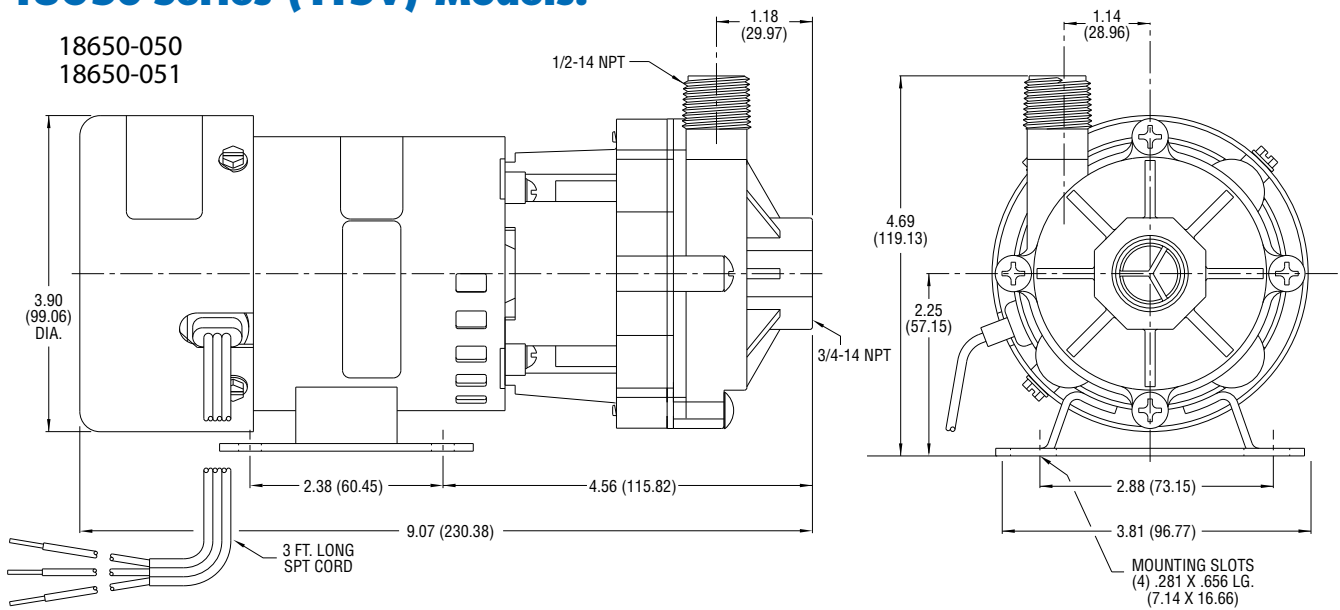
18650 Series Magnetic Drive Pump • Ask us about available OEM options

Specifications	
Flow Rates	Max Range: 12 gpm
	Max Head: 23 ft
	Max Sys. Pressure: 25 psi
Fluid Temp. Max	180°F (82°C)
Materials in contact with solution / OEM options	
Body and Housing	PPR
Impeller	PPS
Pump Shaft	Ceramic
Thrust Bearings	Ceramic
O-Rings (Elastomers)	<ul style="list-style-type: none"> • EPT/EPDM • Viton®/Fluoroelastomer • Nitrile • Neoprene • Silicone • Kel-F®
Motor specifications / OEM options	
Motor Specs	<ul style="list-style-type: none"> • 115V, 50/60 Hz • TEFC/PSC • Thermally protected
Features	
Corrosion Resistant	Quiet operation
Hydraulically efficient	Flexible mounting and body discharge positions
No shaft seals	NSF certified models available
Low current draw and heat rise	

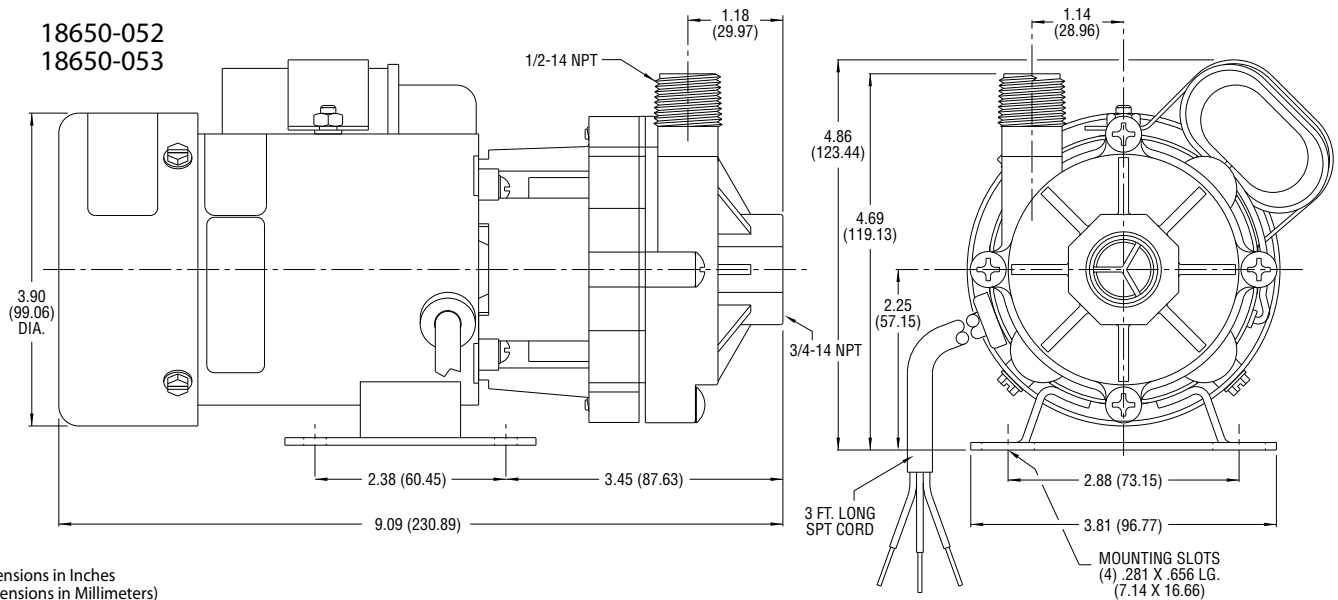


18650 Series Magnetic Drive Pump • Ask us about available OEM options

18650 Series (115V) Models:



18650 Series (230V) Models:



Dimensions in Inches
 (Dimensions in Millimeters)

