

Specifications

Max. Fluid Temp: 203°F (95°C)

Max Sys. Pressure: 75 psi

Weight: 3.52 lbs (1596.645 grams)

Ports: 1" MHB

FLOW RATES: H2O, 12-30 VDC, 0-5v controller

Max Flow: Approx. 19-20 GPM, 72-75 LPM

Max Head: 66.22 Feet, 28.71 PSI

Flow and pressure dependent on input voltage

Materials in contact with solution

Body: PPS (Ryton[®])

Impeller: PPS (Ryton[®])

Pump Shaft: Ceramic

Bearing Plate: PPS (Ryton[®])

Housing: PPS (Ryton[®])

Rotor Shell: PPS (Ryton[®])

Static O-Ring: EPDM, FKM (Viton)

Motor specifications

Motor: Integrated, Brushless DC

Supply Voltage: 12-30 VDC

It is recommended that the customer provide circuit over current protection to the pump.

Electronics Max Power: 300 watt.

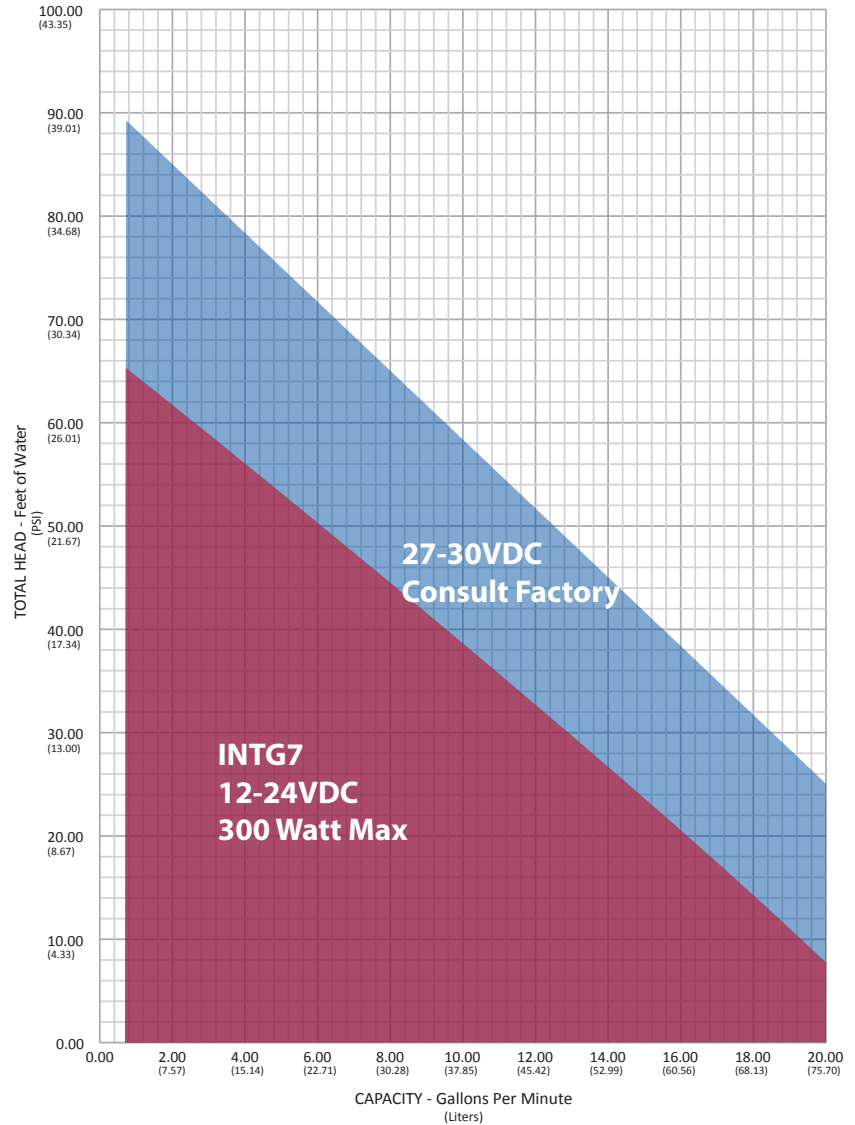
10 amp fast acting fuse is recommended.

Optional - Consult Factory

- **Remote Speed Control:** Third Wire: 0-5 volts (Reference DC NEG). Speed is controlled by a nominal 0-5 volt DC signal.

Mounting Base

Variable 360° rotation

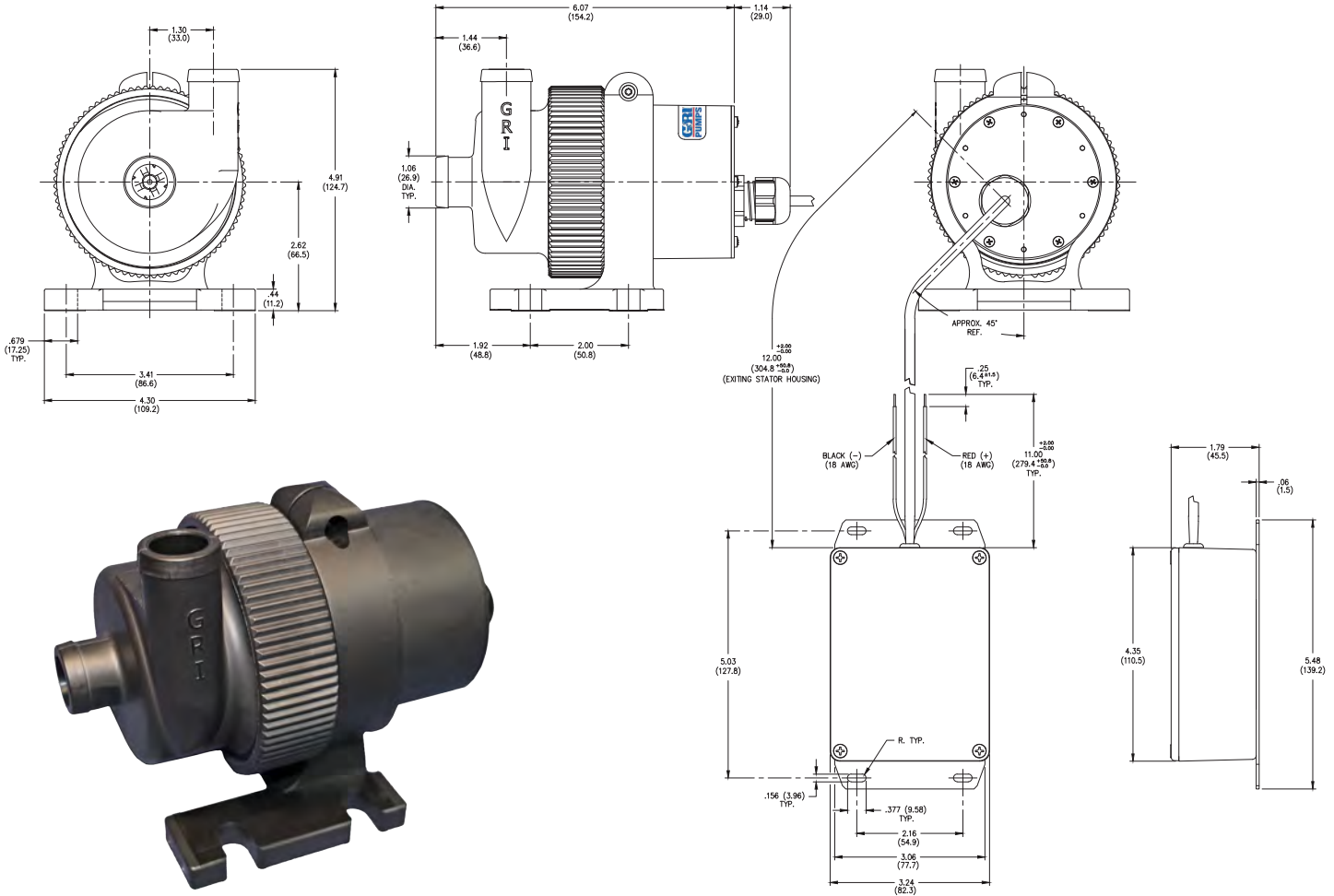


Note: Testing performed in a controlled laboratory environment. Actual performance may vary (+) or (-) 10% from the information shown.

The above curve is an all inclusive overview of the INTG7 Series catalog models represented on this tech sheet. Gorman-Rupp Industries designs and manufactures pumps and pumping solutions for the Original Equipment Manufacturer (OEM). All models shown can be configured to meet specific OEM application requirements. Contact GRI for design points that fall outside of shown parameters.

Do Not Run Pumps Dry. Pumps must be in a continuous flooded suction environment.





Note: Testing performed in a controlled laboratory environment. Actual performance may vary (+) or (-) 10% from the information shown.

Model	Voltage / Lead Wires	Max Amps @ Max Flow	Max Power Rating Watts	Max Flow GPM (LPM)	Max Head Feet (PSI)	Connections Inlet/Outlet (Inches)	O-Ring Material
INTG7-060, 061	12-30 VDC / 2-wire	7.92	300	16.02 (60.64)	93.93 (40.72)	1 MHB	EPDM, FKM
INTG7-062, 063	24 VDC / 3-wire	8.20	300	18.87 (71.42)	66.22 (28.71)	1 MHB	EPDM, FKM

3-Wire: Three wires are required when the pump speed is controlled by a nominal 0-5v DC signal. This is done through a control panel such as a computer or other control devices that is connected to the pump via the third wire. The 0-5v signal controls the speed of the pump, not the voltage supplied to the pump.

2-wire: Two wires provide voltage to the pump. Speed of the pump can be changed by increasing or decreasing the voltage supplied.

O-Ring Material: EPDM = Ethylene Propylene Diene Monomer, FKM = Fluoroelastomer.

Testing performed in a controlled laboratory environment. Actual performance may vary (+) or (-) 10% from the information shown.

Do Not Run Pumps Dry. Pumps must be in a continuous flooded suction environment.

