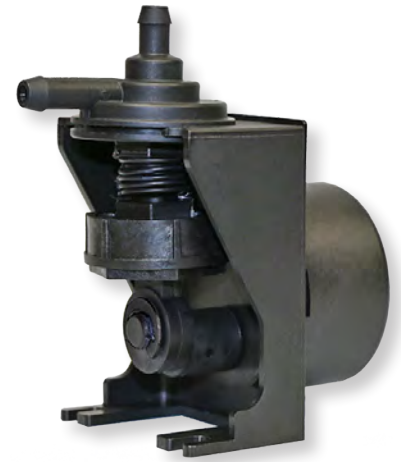



GRI's Bellows Dosing Pumps are ideal for low flow, low pressure metering applications where a fixed flow rate is required. The Dosing Pumps are constructed entirely of plastic and use GRI's time-proven bellows technology to provide a durable and accurate chemically resistant metering pump. When pumping water in laboratory test conditions, pumps rate at +/- 1%, stroke to stroke.

Applications/Markets

- Soap Dispensing
- Chemical Dispensing
- Household Washer and Dryer Market
- Appliance Market
- Warewashing
- Water Purification Market
- Laboratory Market
- HVAC Market
- OEM Markets requiring metering pumps



General Specifications
Maximum Fluid Temperature: 140°F (60°C)
Voltage: 50/60Hz, 115v, 230v, ±10%
Maximum Flow: 50 Hz: 36.0 ml/min 60 Hz: 43.2 ml/min
Accuracy %: ± 1% stroke to stroke ± 5% pump to pump
Maximum Discharge Pressure: 5 PSI
Self-Priming: Yes
Hose Connectors: .354" (9 mm)
Weight: 0.5 LBS (228 grams)
Agency Approvals
 Motor RoHS Compliant U.L. Motor: E338625
Wetted Materials
O-Rings (Elastomers): EPDM
Duckbill / Umbrella valve: EPT
Valve Body: PPR
Displacement Cup: PPR
Bellows: PP

