

*The Pump People*



GRI's Bellows Dosing Pumps are ideal for low flow, low pressure metering applications where a fixed flow rate is required. These *positive displacement pumps* are constructed entirely of plastic and use GRI's time-proven bellows technology to provide a durable and accurate chemically resistant metering pump. When pumping water in laboratory test conditions, pumps rate at +/- 1%, stroke to stroke.

### Applications/Markets

- Soap Dispensing
- Chemical Dispensing
- Household Washer and Dryer Market
- Appliance Market
- Warewashing
- Water Purification Market
- Laboratory Market
- HVAC Market
- OEM Markets requiring metering pumps

### General Specifications

**Maximum Fluid Temperature:** 140°F (60°C)

**Voltage:** 50/60Hz, 115v, 230v, AC ±10%

**Maximum Flow:**

50 Hz: 36.0 ml/min

60 Hz: 43.2 ml/min

**Accuracy %:**

± 1% stroke to stroke

± 5% pump to pump

**Maximum Discharge Pressure:** 2-3 PSI

**Self-Priming:** Yes

**Hose Connectors:** .354" (9 mm)

**Weight:** 0.5 LBS (228 grams)

### Agency Approvals

 Motor

RoHS Compliant

U.L. Motor: E338625

### Wetted Materials

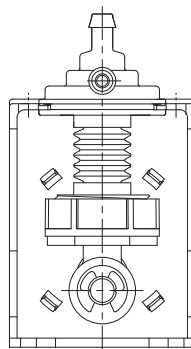
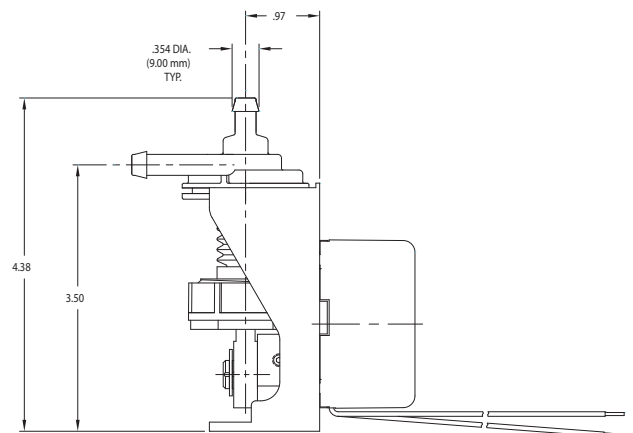
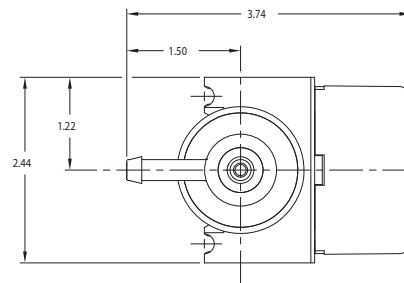
**O-Rings (Elastomers):** EPDM

**Duckbill / Umbrella valve:** EPT

**Valve Body:** PP

**Displacement Cup:** PP

**Bellows:** PP



# Bellows Dosing Pump



Model Number	Bellow Size	Elastomer	Voltage	Frequency	RPM 50Hz	RPM 60Hz	Max Discharge Pressure	Max Flow 50Hz (ml/min)	Max Flow 60Hz (ml/min)
16900-050	3/4"	EPDM	115	50/60	20.0	24.0	3 PSI	36.0	43.2
16900-051	3/4"	EPDM	230	50/60	20.0	24.0	3 PSI	36.0	43.2
16900-052	3/4"	EPDM	115	50/60	12.5	15.0	3 PSI	22.5	27.0
16900-053	3/4"	EPDM	230	50/60	12.5	15.0	3 PSI	22.5	27.0
16900-054	3/4"	EPDM	115	50/60	6.6	8.0	3 PSI	11.9	14.4
16900-055	3/4"	EPDM	230	50/60	6.6	8.0	3 PSI	11.9	14.4
16900-056	1/2"	EPDM	115	50/60	20.0	24.0	3 PSI	10.0	12.0
16900-057	1/2"	EPDM	230	50/60	20.0	24.0	3 PSI	10.0	12.0
16900-058	1/2"	EPDM	115	50/60	12.5	15.0	3 PSI	6.3	7.5
16900-059	1/2"	EPDM	230	50/60	12.5	15.0	3 PSI	6.3	7.5
16900-060	1/2"	EPDM	115	50/60	6.6	8.0	3 PSI	3.3	4.0
16900-061	1/2"	EPDM	230	50/60	6.6	8.0	3 PSI	3.3	4.0