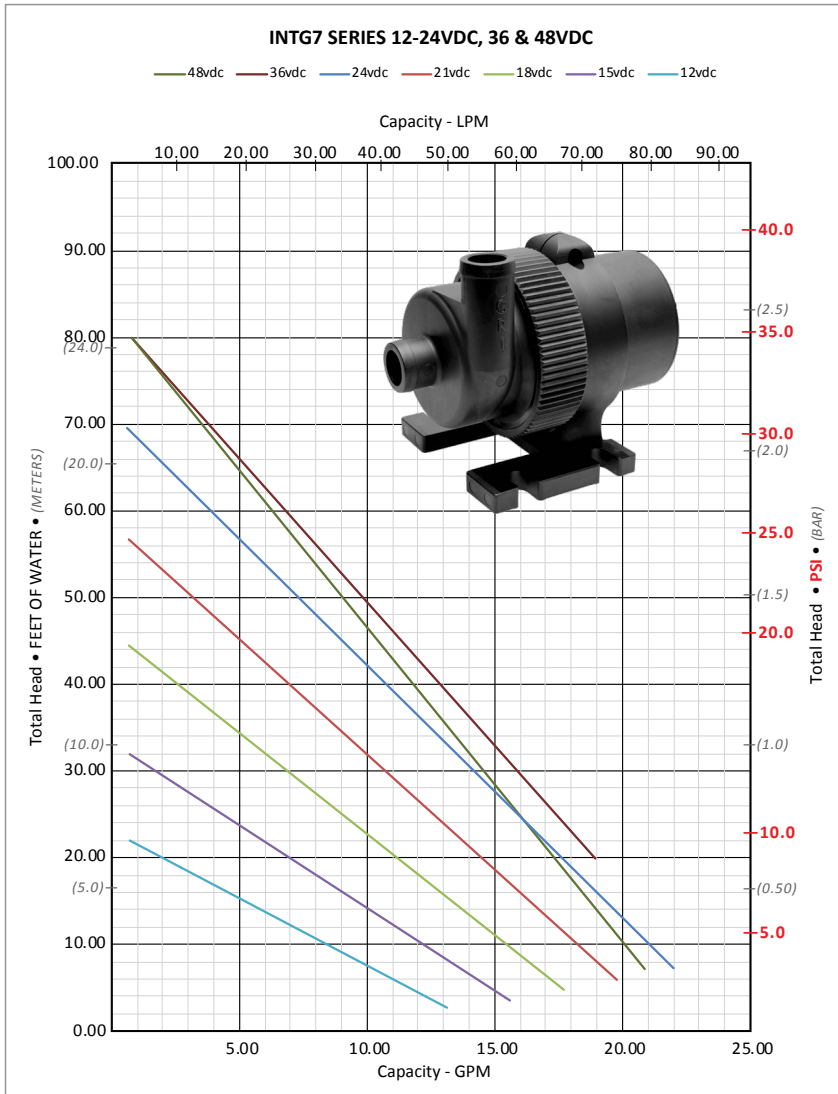


### INTG7 Series • Performance @ Maximum Flow

| Voltage | Flow (GPM) | Flow (L) | Ttl. Hd. (Ft) | Ttl. Hd. (PSI) | Ttl. Hd. (BAR) | Ttl. Hd. (M) |
|---------|------------|----------|---------------|----------------|----------------|--------------|
| 48vdc   | 22.0       | 83.3     | 7.52          | 3.26           | 0.22           | 2.29         |
| 36vdc   | 19.0       | 72.0     | 19.80         | 8.58           | 0.59           | 6.04         |
| 24vdc   | 22.0       | 83.3     | 7.25          | 3.14           | 2.21           | 5.50         |
| 21vdc   | 20.0       | 75.7     | 5.76          | 2.50           | 1.76           | 4.14         |
| 18vdc   | 17.7       | 67.0     | 4.73          | 2.05           | 1.44           | 2.94         |
| 15vdc   | 15.6       | 59.0     | 3.55          | 1.54           | 1.08           | 7.01         |
| 12vdc   | 13.2       | 50.0     | 2.49          | 1.08           | 0.76           | 1.24         |



Note: Testing performed in a controlled laboratory environment. Actual performance may vary (+) or (-) 10% from the information shown.

**Do Not Run Pumps Dry. Pumps must be in a continuous flooded suction environment.**

### Specifications

**Maximum System Pressure:** 75 psi

**Approximate Weight (w/ external box):** 4.3 lbs (1950.45 grams)

**Ports:** 1" MHB

### Materials In Contact With Solution

|                      |                            |                                    |
|----------------------|----------------------------|------------------------------------|
| <b>Body:</b> PPS     | <b>Housing:</b> PPS        | <b>Static O-Ring:</b><br>EPDM, FKM |
| <b>Impeller:</b> PPS | <b>Pump Shaft:</b> Ceramic |                                    |

### Motor Specifications

**Motor:** Integrated, Brushless DC

**Supply Voltage:** 12-24, 36, 48 VDC

**Electronics Maximum Power:** 300 Watts

To protect the control board, each Integrity Series pump will be issued with a Maximum Power limit (Watts). To stay within this limit, the recommended fuse size (Amps) will be based on the voltage supplied. (Watts = Voltage X Amps)

### Control Options

- **Direct Supply Voltage:** Speed of the pump determined by the voltage supplied
- **Analog:** 0-5v DC Signal
- **Digital:** PWM
- **CAN-Bus:** Option available
- **Tachometer:** Feedback option available

### Maximum Fluid Temperature Rating Chart

| Controller Position   | Maximum Fluid Temp Rating |
|-----------------------|---------------------------|
| Separate from pump    | 221°F (105°C)             |
| Within pump's housing | Not available             |

Various factors influence the recommended maximum temperature rating. These factors play a role in determining the pump's life and applied warranties. In some applications, a higher maximum fluid temperature rating may be warranted.

Factors influencing maximum temperature rating include, but are not limited to:

- Starting temperature of fluid in system
- Ambient temperature
- Required performance, application's specifications
- Run time

### Optional Agency Approvals

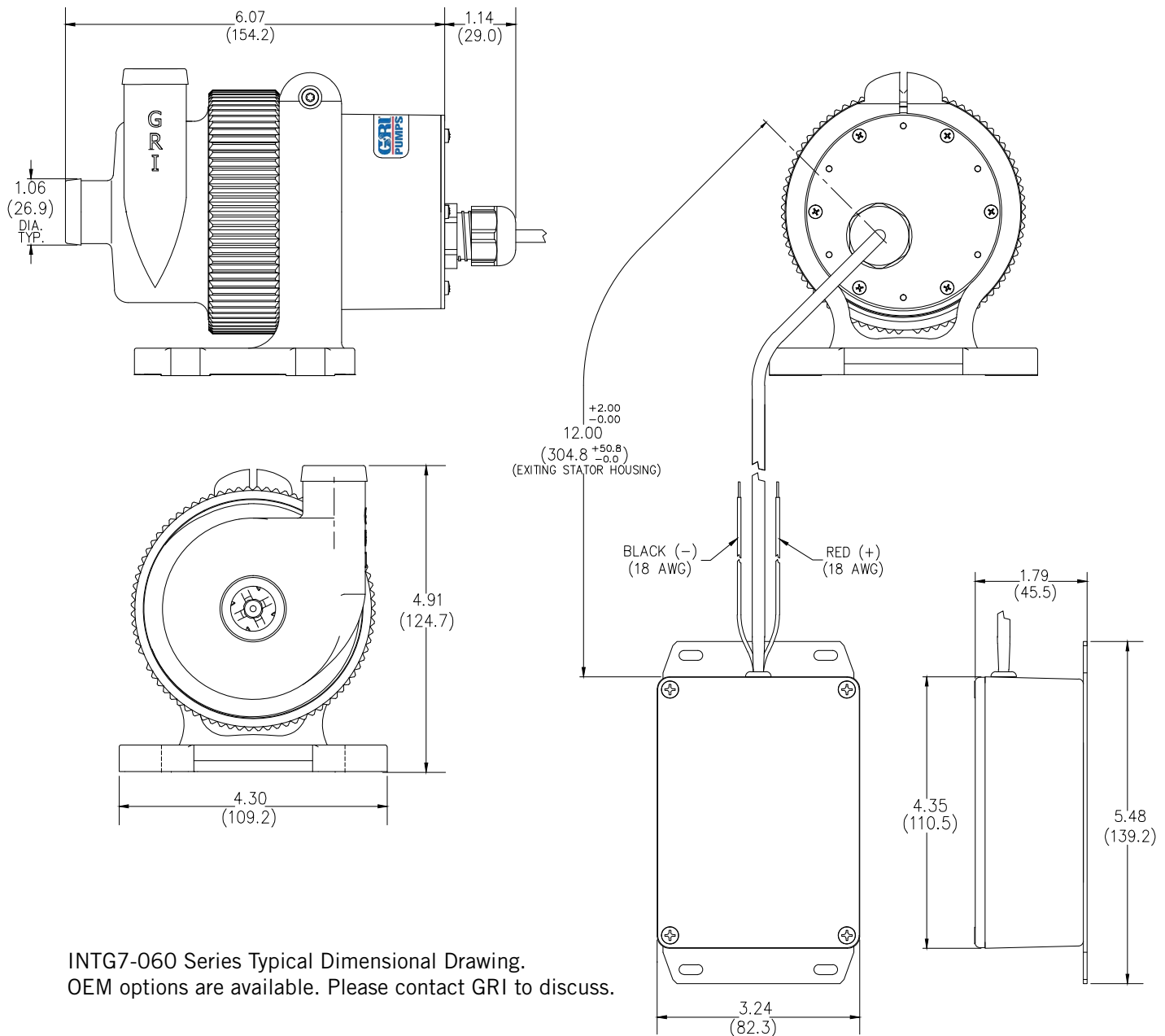
Contact GRI

### RoHS/REACH

Many GRI pumps are RoHS & REACH compliant. For declarations by specific model numbers, please contact GRI.

### IP (Ingress Protection)

**IP68:** No ingress of dust, protection against continuous water immersion.\*  
\* Upon request only. Minimum quantities may be required.



INTG7-060 Series Typical Dimensional Drawing.  
OEM options are available. Please contact GRI to discuss.

Integrity Series Pumps are designed and manufactured specifically for OEM customization. If you don't immediately find a pump that meets your exact requirements, our dedicated Pump Team is ready to work with you in developing a solution specific to your application.

| Model (O-RING)                      | Voltage (VDC) | Speed Control                | Lead Wires                            | Max Flow GPM (LPM) | Max Head Ft. (PSI) (m) | Connections Inlet/Outlet (Inches) |
|-------------------------------------|---------------|------------------------------|---------------------------------------|--------------------|------------------------|-----------------------------------|
| INTG7-060 (EPDM)<br>INTG7-061 (FKM) | 12-24         | Direct                       | 2 wires (+), (-)                      | 22.0 (83.3)        | 70.0 (30.3) (21.3)     | 1" MHB                            |
| INTG7-062 (EPDM)<br>INTG7-063 (FKM) | 24            | Analog (0-5v Nominal)        | 3 wires (+), (-), Speed Control       | 22.0 (83.3)        | 70.0 (30.3) (21.3)     | 1" MHB                            |
| INTG7-064 (EPDM)<br>INTG7-065 (FKM) | 24            | PWM or Analog (0-5v Nominal) | 4 wires (+), (-), Speed Control, Tach | 20.00 (75.7)       | 71.0 (30.8) (21.6)     | 1" MHB                            |

**Connectors:** MHB = Male Hose Barb | **O-Ring Material:** EPDM = Ethylene Propylene Diene Monomer, FKM = Fluoroelastomer (Available on request)